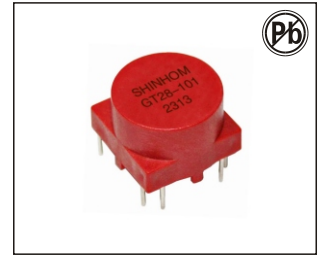


GATE DRIVER TRANSFORMER FOR IGBT

GT28 SERIES



FEATURES:

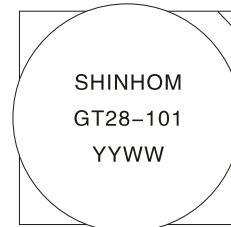
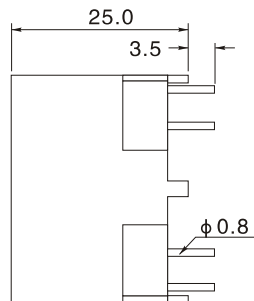
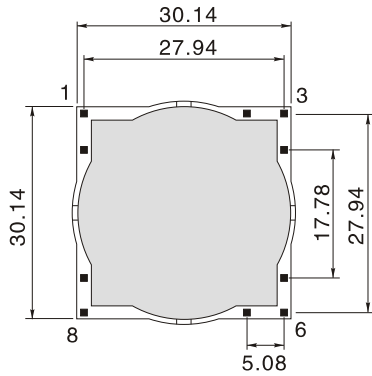
- Low coupling capacitance, high anti-interference capability
- Low leakage, excellent output pulse waveform
- No switch delay, high instantaneous transmission power
- High electrical strength, safe and reliable
- Fully enclosed, good mechanical and corrosion resistance
- Compact size, DIP installation
- Size 30.14x27.94x25mm
- Conforms to UL91-V0

ELECTRICAL CHARACTERISTICS@25°C

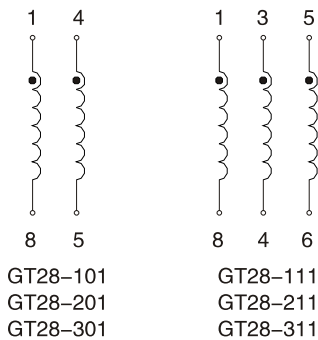
| Part Number | Turns ratio | Pri Inductance (mH) 1.0KHz,0.3V | Pri impulse voltage (V) | Sec impulse voltage (V) | Pulse width (uS) | Et Constant (Vus) Min | Hi-Pot (kVrms) 50Hz,1min |
|-------------|-------------|---------------------------------|-------------------------|-------------------------|------------------|-----------------------|--------------------------|
| GT28-101 | 1:1 | 2~5 | 15 | 13 | 66.6 | 1000 | 6 |
| GT28-201 | 2:1 | 2~5 | 20 | 9 | 50 | 1000 | 6 |
| GT28-301 | 3:1 | 2~5 | 30 | 9 | 33.3 | 1000 | 6 |
| GT28-111 | 1:1:1 | 2~5 | 15 | 13 | 66.6 | 1000 | 6 |
| GT28-211 | 2:1:1 | 2~5 | 20 | 9 | 50 | 1000 | 6 |
| GT28-311 | 3:1:1 | 2~5 | 30 | 9 | 33.3 | 1000 | 6 |

TECHNICAL INFORMATION & WINDING

Dimensions(mm)



Winding



NOTES

- Electrical specification at 25°C
- Ambient temperature ranges from -40°C to +85°C
- Insulation heat resistance Class F(155°C)
- Insulation resistance 1000MΩ Min
- Operating frequency 100Hz~50KHz