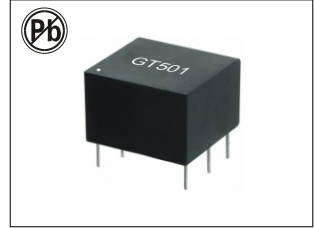


# MOSFET / TRIAC / SCR Trigger transformers

## GT SERIES



### FEATURES:

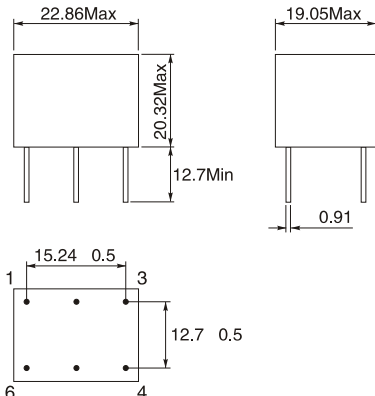
- Ideal for use as trigger transformers in MOSFET, SCR and TRIAC circuits
- High isolation voltages – Hi-pot tested to 2500 VAC
- Fully encapsulated
- Designed for fast rise time applications

### ELECTRICAL CHARACTERISTICS: @25°C

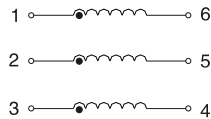
PART NUMBER	TURNS RATIO	PRIMARY INDUCTANCE (mH-MIN.)	PRIMARY ET-CONSTANT	LEAKAGE INDUCTANCE	Ciw (pf MAX.)	DCR PRI.	DCR SEC.	DCR SEC.	SCHEMATIC
GT500	1:1	0.25	45	5	20	1.0	1.0	N/A	2
GT501	1:1	1.0	90	20	30	2.0	2.0	N/A	2
GT502	1:1	5.0	180	45	30	3.0	3.0	N/A	2
GT503	1:1	20.0	360	200	50	5.0	5.0	N/A	2
GT504	1:1:1	0.25	45	5	20	1.0	1.0	1.0	1
GT505	1:1:1	1.0	90	20	30	2.0	2.0	2.0	1
GT506	1:1:1	5.0	180	45	30	3.0	3.0	3.0	1
GT507	1:1:1	20.0	360	200	50	5.0	5.0	5.0	1
GT508	2:1	1.0	90	40	30	2.0	1.0	N/A	2
GT509	2:1	5.0	180	60	30	3.0	2.0	N/A	2
GT510	2:1:1	1.0	90	40	30	2.0	1.0	1.0	1
GT511	2:1:1	5.0	180	60	30	3.0	2.0	2.0	1
GT512	5:1	20.0	360	200	50	5.0	2.0	N/A	2
GT513	5:1:1	20.0	360	200	50	5.0	2.0	2.0	1
GT570	1:1	0.25	45	5	20	1.0	1.0	N/A	3
GT571	1:1:1	0.25	45	5	20	1.0	1.0	1.0	4
GT572	1:1	1.0	90	20	30	2.0	2.0	N/A	3
GT573	1:1:1	1.0	90	20	30	2.0	2.0	2.0	4
GT574	1:1	5.0	180	45	30	3.0	3.0	N/A	3
GT575	1:1:1	5.0	180	45	30	3.0	3.0	3.0	4
GT576	1:1	20.0	360	200	50	6.0	6.0	N/A	3
GT577	1:1:1	20.0	360	75	50	3.0	3.0	3.0	4
GT578	2:1	1.0	90	40	30	2.0	1.0	N/A	3
GT579	2:1:1	1.0	90	60	30	2.0	1.0	1.0	4
GT580	2:1	5.0	180	40	30	3.0	2.0	N/A	3
GT581	2:1:1	5.0	180	45	30	3.0	2.0	2.0	4
GT582	2:1	20.0	360	200	75	5.0	3.0	N/A	3
GT583	2:1:1	20.0	360	200	75	3.0	2.0	2.0	4
GT584	5:1	20.0	360	200	50	5.0	2.0	N/A	3
GT585	5:1:1	20.0	360	200	50	5.0	2.0	2.0	4

### MECHANICALS & SCHEMATICS

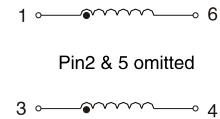
Dimensions(mm)



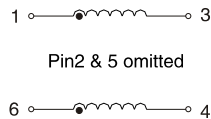
SCHEMATIC 1



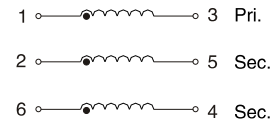
SCHEMATIC 2



SCHEMATIC 3



SCHEMATIC 4



Note: All specifications subject to change without notice.