

# GT04 Series Gate Drive Transformer



## Features

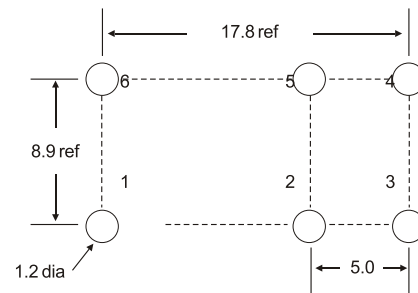
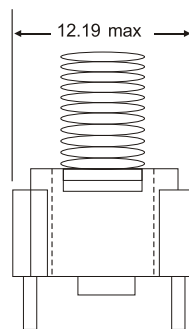
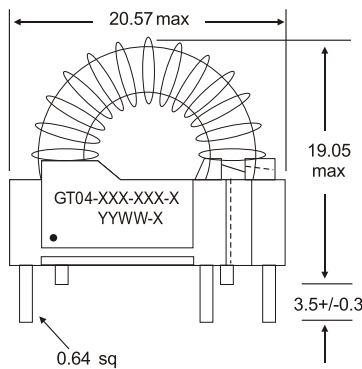
- ◆ Meets medical safety isolation requirements
- ◆ Designed for frequencies from 20 kHz to 300 kHz
- ◆ Available in UL Class F (155°C) or Economical Class B (130°C) Versions

## Applications

- ◆ Gate Drive Transformer
- ◆ Signal Transformer Across Isolation Barriers
- ◆ Off-Line AC/DC Converters
- ◆ High-Powered DC/DC Converters

**Packaging** Tray=45 pieces, Box=12 trays, Box=540 pieces

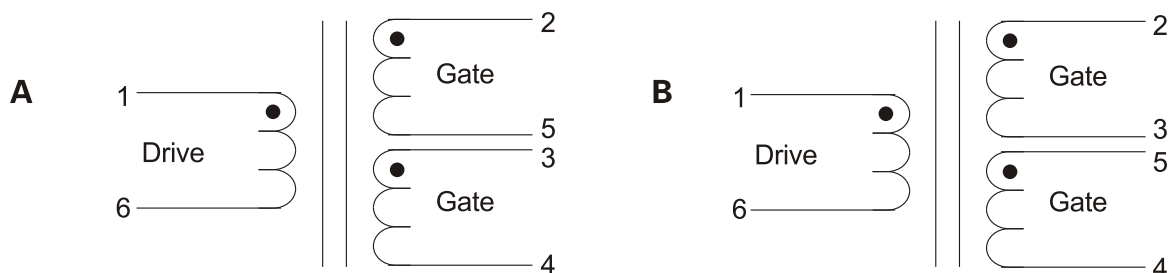
## Mechanical



Unit: mm

## Recommended PCB Layout

## Schematic



## Gate Drive Transformer

## GT04 Series

### ELECTRICAL SPECIFICATIONS — STANDARD VERSION

Part No <sup>5</sup>	Turns Ratio (Drive : Gate)	Primary <sup>1</sup> Inductance (mH min.)	DCR ( $\Omega$ max.) N1:N2:N3	Leakage Inductance ( $\mu$ H max.)	E-T Product <sup>6</sup> (V- $\mu$ s)	HiPot (V <sub>dc</sub> )
CT04-111-063	1:1:1	0.247	0.04:0.04:0.04	0.2	63	4500
CT04-111-126	1:1:1	0.990	0.07:0.07:0.07	0.4	126	4500
CT04-111-189	1:1:1	2.220	0.2:0.2:0.2	0.5	189	4500
CT04-111-252	1:1:1	3.960	0.5:0.5:0.5	.7	252	4500
CT04-111-315	1:1:1	6.180	1:1:1	.7	315	4500
CT04-111-378	1:1:1	8.810	2.7:2.7:2.7	1.2	378	4500
CT04-122-063	1: 2.5: 2.5	0.039	0.02:0.04:0.04	0.15	63	4500
CT04-122-126	1: 2.5: 2.5	0.158	0.04:0.07:0.07	0.2	126	4500
CT04-122-189	1: 2.5: 2.5	0.356	0.1:0.2:0.2	0.25	189	4500
CT04-122-252	1: 2.5: 2.5	0.634	0.2:0.45:0.45	0.3	315	4500
CT04-122-315	1: 2.5: 2.5	0.990	0.4:0.9:0.9	0.4	315	4500
CT04-122-378	1: 2.5: 2.5	1.420	1.1:2.5:2.5	0.5	378	4500

### ELECTRICAL SPECIFICATIONS — ECONOMY VERSION

Part No <sup>5</sup>	Turns Ratio (Drive : Gate)	Primary <sup>1</sup> Inductance (mH min.)	DCR ( $\Omega$ max.) N1:N2:N3	Leakage Inductance ( $\mu$ H max.)	E-T Product <sup>6</sup> (V- $\mu$ s)	HiPot (V <sub>dc</sub> )
CT04-111-063_E	1:1:1	0.247	0.07:0.04:0.04	0.4	63	4500
CT04-111-126_E	1:1:1	0.990	0.16:0.07:0.07	0.6	126	4500
CT04-111-189_E	1:1:1	2.220	0.2:0.2:0.2	0.5	189	4500
CT04-111-252_E	1:1:1	3.960	0.8:0.5:0.5	0.9	252	4500
CT04-111-315_E	1:1:1	6.180	1:1:1	0.8	315	4500
CT04-111-378_E	1:1:1	8.910	1.2:2.7:2.7	1.5	378	4500
CT04-122-063_E	1: 2.5: 2.5	0.039	0.04:0.04:0.04	0.4	63	4500
CT04-122-126_E	1: 2.5: 2.5	0.158	0.06:0.07:0.07	0.4	126	4500
CT04-122-189_E	1: 2.5: 2.5	0.356	0.1:0.2:0.2	0.25	189	4500
CT04-122-252_E	1: 2.5: 2.5	0.634	0.34:0.45:0.45	0.6	252	4500
CT04-122-315_E	1: 2.5: 2.5	0.990	0.4:0.9:0.9	0.4	315	4500
CT04-122-378_E	1: 2.5: 2.5	1.420	0.5:2.5:2.5	0.9	378	4500

1. Tested at 10 kHz, 0.1Vrms
2. Electrical specifications at 25°C.
3. Operating range: -40°C to +130°C.
4. Meets UL 84V-0.
5. Select pin assignment option based on schematics above. For other options please contact  
Select pin assignment option based on schematics For other options please contact
6. E-T product rating is for the secondary (gate) windings and is based upon a peak flux density of  
2200 Gauss at 25°C when used in a bipolar -driven application.